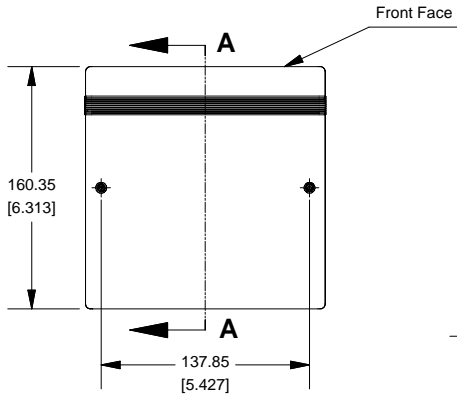
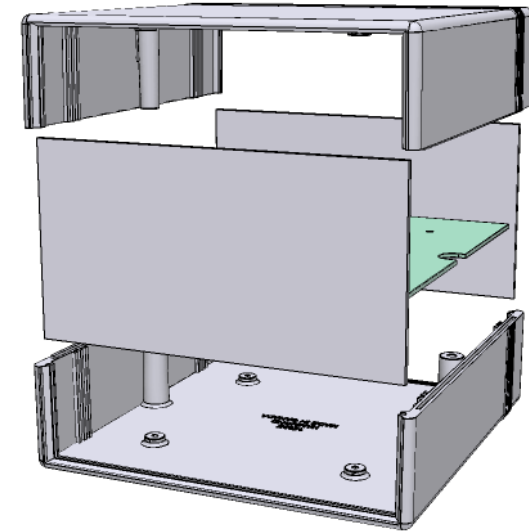
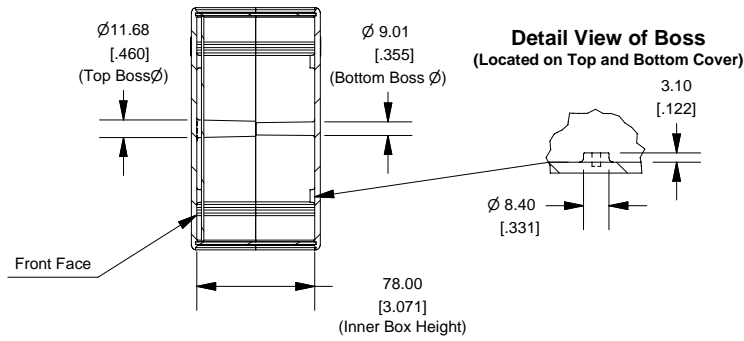


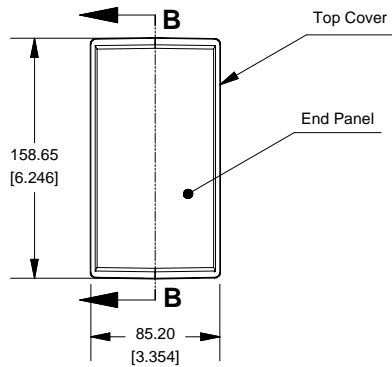
Bottom View of Assembly



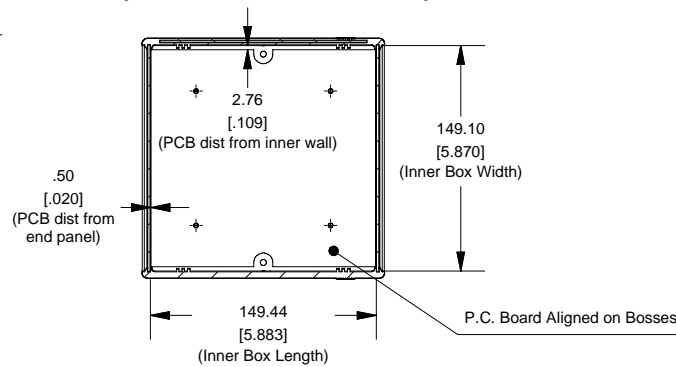
**SECTION A-A
(Side View Inside Assembly)**



End View of Assembly



**SECTION B-B
(Inside of Bottom Cover)**



Enclosures can be Factory Modified (Milling, Drilling, Printing etc.)
Solid models of this enclosure available in STEP or IGES.
Contact Factory mjm@hammondmfg.com

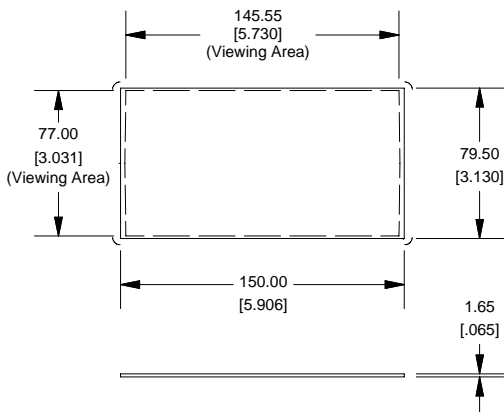
NOTE

Purchased Assembly includes top and bottom cover, front and end aluminum panels (alloy 5052-H32, SPV coating on one side), 2 cover screws, and 4 rubber feet.

1598E Instrument Case

FLAME RETARDANT ABS (UL94-VO)	
Black Enclosure with Aluminum Panels	1598EBK
Grey Enclosure with Aluminum Panels	1598EGY
Black EMI/RFI Shielded	1598REBK
NON-FLAME RETARDANT GPABS (UL94-HB)	
Grey Enclosure with Aluminum Panels	1598ESGY
Grey Enclosure with Black Plastic Panels	1598ESGYPBK
ACCESSORIES	
Black Plastic Panels	1598PLEBK
Rubber Feet (Pkg 24)	1421T2
For 1598 FR-ABS Cover Screws (Pkg 100) [M3 - 0.5 x 10mm]	1591MS100
For 1598 GPABS Cover Screws (Pkg 100) [#4 x 5/8" (15.9mm)]	1591TS100
For Both Models PCB Screws (Pkg 100) [#6 x 1/4" (6.4mm)]	1598ATS100

**Front/Rear Panel
(Dashed Line Indicates Viewing Area)**



Maximum P.C. Board Size

